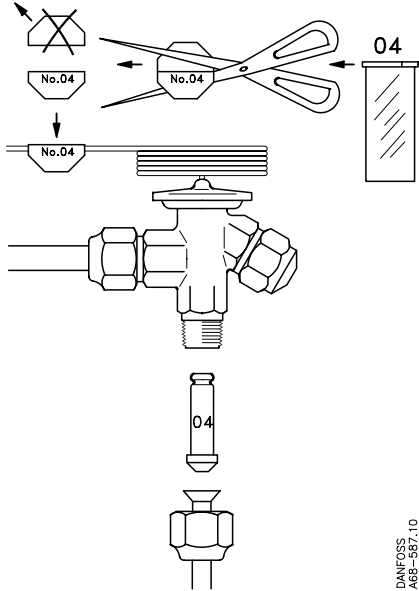


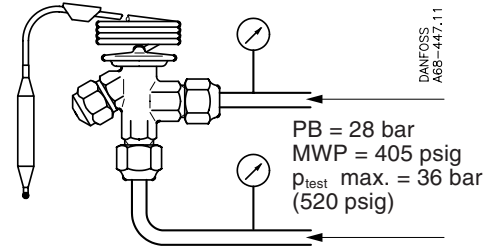
068F9505

068F9505

R 22

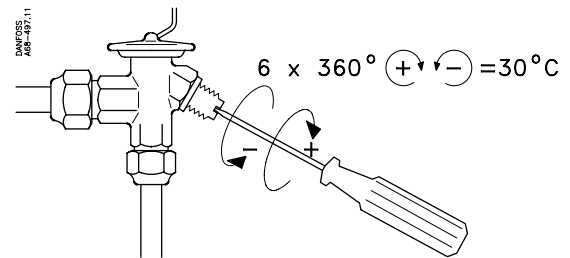
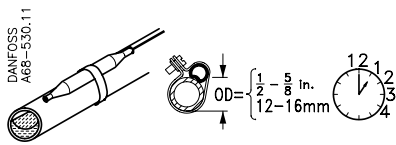


DANFOSS  
A68-587.10



© Danfoss A/S

RI.1A.M3.02 01-1999



	Range	Factory setting	Setting range
$t_b$ :	80 → 110 °C	$t_b$ : 95 °C	6 rev. = 30 °C
PI:	1 → 5 bar	PI: 3 bar	6 rev. = 30 °C
$t_b$ :	100 → 130 °C	$t_b$ : 115 °C	6 rev. = 30 °C
PI:	1 → 5 bar	PI: 3 bar	6 rev. = 30 °C
$t_b$ :	100 → 130 °C	$t_b$ : 115 °C	6 rev. = 30 °C
PI:	0 → 2.5 bar	PI: 1 bar	6 rev. = 30 °C

$t_b$  = bulb temperature. PI = intermediate pressure

